



Linee automatiche  
di frittura e bollitura  
Automatic lines for  
frying and boiling production

## INDUSTRIAL LOADING BELT WITH VIBRATING SYSTEM



### FEATURES:

- Industrial loading belt with slide and vibrating plane, to be positioned at the entrance of the fryer;
- Belt with pocket made in blue food polyurethane;
- Slide with vibrating plane useful to distribute the product on the width in a homogeneous way;
- Grid for removing crumbs before insertion in a deep fryer;
- Brush for leveling the product;
- Hopper for loading products;
- Structure with swivel wheels (two with brake) and adjustable in height for better stability in case of discontinuous floors;
- Container for the collection of sieved crumbs;
- Control panel on the machine, easily removable



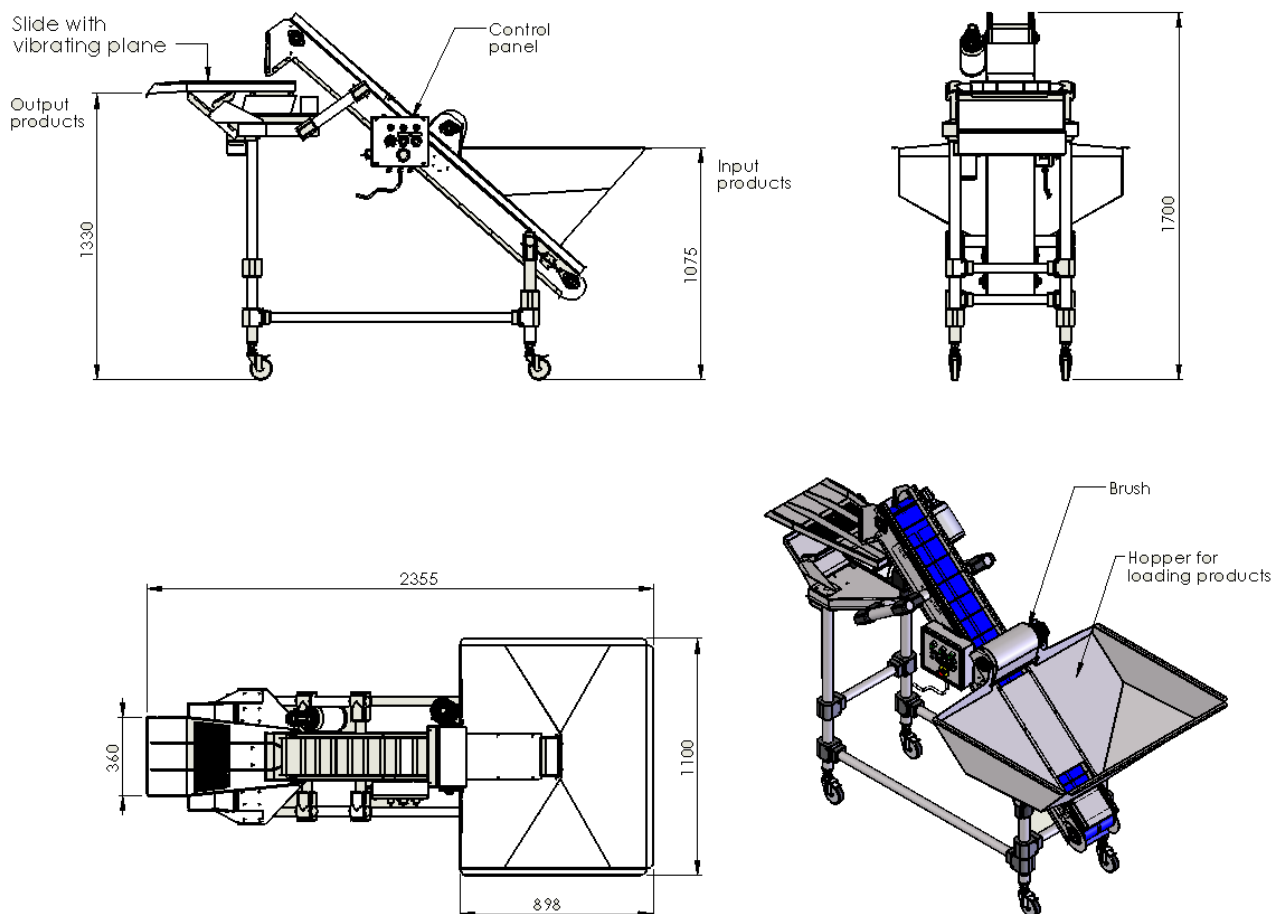


Linee automatiche  
di frittura e bollitura  
Automatic lines for  
frying and boiling production

## TECHNICAL FEATURES

- Overall dimensions cm 236x110x170;
- Product loading height: 108 cm adjustable;
- Product unloading height: 133 cm adjustable;
- Maximum electric power engaged 500 W;
- Loading hopper with a capacity of ≈130 liters;
- Brush at adjustable speed and height;
- Motovibratore for product distribution and advancement, with adjustable vibration intensity;
- Grid for sieving the crumbs and impurities from the product (holes diameter on request);
- All parts easily removable for cleaning;
- Belt with pocket made in blue food polyurethane;
- Structure and parts constructed integrally with materials suitable for contact with food;
- CE mark.

## DIMENSIONS:



AFRYER LTD Via Senatore Fabbri, 62 (Z.I. Lovadina) - 31027 Spresiano (TV) - Tel. +39 3519650377 Web site: <http://www.afryer.eu/>  
E-mail: [info@afryer.eu](mailto:info@afryer.eu) - P.IVA 05067780261 - C.F. 94165770267 - R.E.A. TV-426014

